

Part number 99402-2

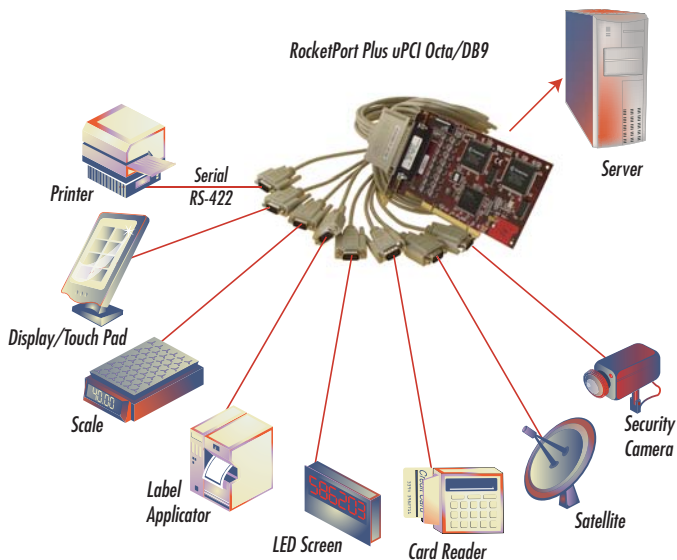
RocketPort® Plus uPCI 422 Octa/DB9



The Control RocketPort Plus uPCI 422 Octa/DB9 serial port expansion card provides eight "native" serial ports utilizing a single PCI card slot and is compatible with all current 3.3 and 5.0 Volt PCI bus architectures. The DB9 serial ports support RS-422 serial communications at speeds up to 921 Kbps. Every RocketPort serial card features the high-performance RocketPort ASIC chip, consisting of a dedicated 44MHz processor that minimizes host CPU utilization and larger transmit-and-receive buffers than those of 16550 UART chips used in standard PC serial ports and low-end serial cards. **RocketPort ASIC technology enables these cards to outperform other serial expansion cards by handling the transmission of large amounts of data more reliably and efficiently.** Additionally, RocketPort products do not require the assignment of interrupts, simplifying installation and eliminating conflicts with other server cards. The product is fully compliant with the RoHS directive 2002/95/EC.

Highlights

- **RoHS Directive 2002/95/EC compliant**
- **Universal PCI design supporting 3.3 and 5.0 Volt PCI bus architectures**— ensures compatibility with all current PCI bus architectures
- **I/O mapping capabilities**—simplifies installation, eliminates memory conflicts, and enables plug-and-play compatibility
- **Multiport serial expansion using a single slot**—maximizes host expansion capabilities; adds eight COM ports using only one slot
- **On-board dedicated 44MHz RISC processor**—minimizes "host" CPU utilization
- **RS-422 communications support**—enables transmit-and-receive speeds up to 921 Kbps
- **DB9 fan-out cable**—provides cost-effective, compact, and flexible serial connections
- **Transmit buffers 16 times larger, and receive buffers 64 times larger, than a 16550 UART**—helps ensure smooth, efficient data transfer
- **Robust driver support**—enables card to work seamlessly with popular operating systems



Specifications

HARDWARE

Maximum Cards/System	4
Bus Interface	3.3 or 5.0 Volt PCI
Onboard Processor Speed	44MHz
Interrupts Used	None or One
Dimensions (WxH)	6.3 Inches x 4.0 Inches
Product Weight	0.3 Lbs (without Cable)
Packaged Shipping Weight	2.61 Lbs

ELECTRICAL SPECIFICATIONS

Current Consumption	+5V 310mA
Power Consumption	1.55 Watts

ENVIRONMENTAL SPECIFICATIONS

Operating Temperature	0 to 45°C
Storage Temperature	-20 to 85°C
Humidity (Non-Condensing)	
Operating Humidity	20% to 80%
Storage Humidity	8% to 80%
Altitude	0 to 10,000 Ft
Heat Output	5.29 BTU/Hr
MTBF	37.1 Yrs
Surge Protection	25KV @200A for 1ns

DEVICE DRIVERS

QNX® 6.X, QNX® 4.X, SCO OpenServer™ 5, Free BSD 4, Free BSD 5, Linux, Microsoft® Windows® 98, Microsoft® Windows ME®, Microsoft Windows NT® 4.0, Microsoft® Windows® 2000, Microsoft® Windows XP®, Microsoft® Windows Server® 2003

SERIAL COMMUNICATIONS

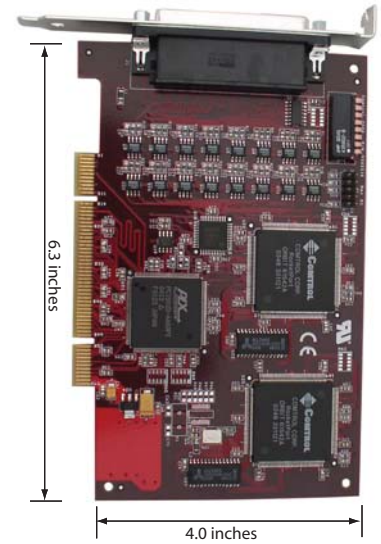
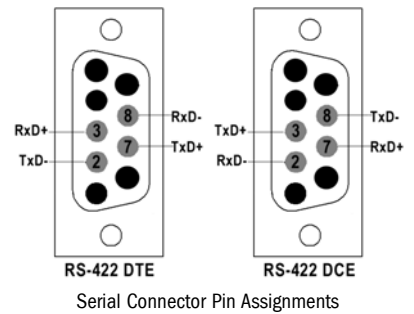
Number of Ports	8
Serial Interfaces	RS-422
Baud Rates	Up to 921 Kbps
Receive Buffer Size	1,024 Bytes
Transmit Buffer Size	256 Bytes
Connector Type	DB9 Male
Data Control	
Data Bits	7 or 8
Parity	Odd, Even, None
Stop Bits	1 or 2
Ring Indicator	

REGULATORY APPROVAL MARKS

RoHS 2002/95/EC, FCC Part 15 Subpart B Class B, Canadian ICES-003, C-Tick, CE Mark, UL/cUL

REGULATORY STANDARDS

Immunity: EN55024,
 IEC 1000-4-2/EN61000-4-2,
 IEC 1000-4-3/EN61000-4-3,
 IEC 1000-4-4/EN61000-4-4,
 IEC 1000-4-5/EN61000-4-5,
 IEC 1000-4-6/EN61000-4-6,
 IEC 1000-4-8/EN61000-4-8,
 IEC 1000-4-11/EN61000-4-11
 Emission: EN55022, Amendment A1
 IEC 1000-3-2/EN61000-3-2,
 IEC 1000-3-3/EN61000-3-3,
 ICES-003, CISPR-22, AS/NZS-3548
 Safety: IEC60950/EN60950



Product Support & Service Information

Sales Support

+1.763.494.4100
 sales@comtrol.com

Technical Support

+1.763.494.4100
<http://www.comtrol.com/support>

Email, FTP, and World Wide Web Support

www.comtrol.com
ftp.comtrol.com
 info@comtrol.com



Corporate Office
 6655 Wedgwood Road
 Minneapolis, MN 55311 USA
 US: 800.926.6876
 P: +1 763.494.4100
 F: +1 763.494.4199