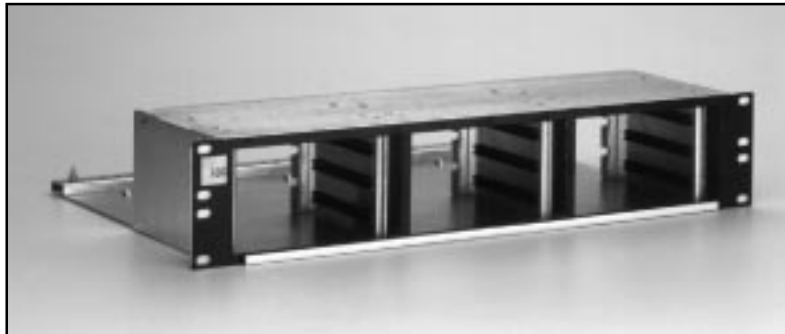


PATCHMATE™ MINIATURE CHASSIS



Uninterrupted data network communications depend upon your ability to independently and immediately restore function to a failed component or to substitute or reroute communication paths.

ADC's PatchMate data network control products provide a convenient, organized method of digital communications line monitoring and reconfiguration. The PatchMate miniature chassis has been designed for basic data patching applications where data circuit counts are low and space is at a premium.





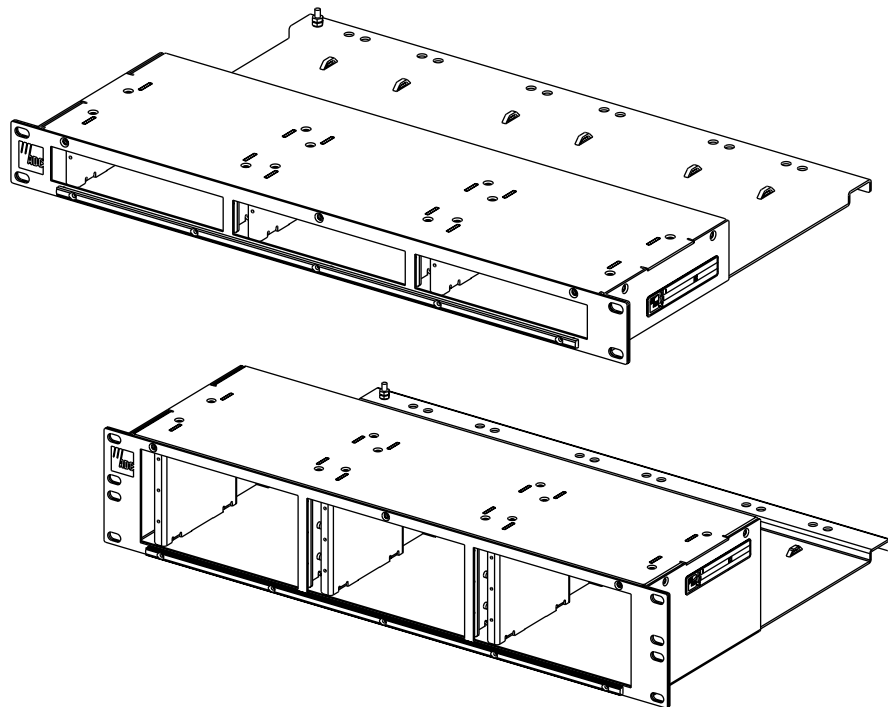
Description

PMCH-2-3:

- Designed to be used with modules that do not require power
- Mounts up to 3 single-wide modules
- Occupies one rack space (1.75" [4.45 cm]) in a standard equipment cabinet
- Labeled to correspond with all EIA-530, EIA-232 and V.35 PatchMate modules

PMCH-2-9:

- Designed to be used with modules that do not require power
- Mounts up to 9 single-wide modules
- Can support up to 3 dual-width modules such as the PMBP-1 breakout module (occupies 6 slots in the "mini" chassis)
- Occupies two rack spaces (3.5" [8.89 cm]) in a standard equipment cabinet
- Labeled to correspond with all EIA-530, EIA-232 and V.35 PatchMate modules
- LED breakout and test modules require the use of power supply DMPS-11



Features and Benefits

Features and Benefits

- Two "mini" PatchMate chassis available that support a variety of ADC PatchMate modules for flexible data communications configurations
- Compact "mini" chassis with horizontal mounting modules saves valuable rack space for low data circuit count applications
- Built-in cable tray and front-mounted designation labels for easy cable management and circuit identification



Ordering Information

Ordering Information		
Description	Dimensions (HxWxD)	Catalog Number
Chassis 3 Position PatchMate chassis	1.75" x 19" x 12.03" (4.45 x 48.26 x 30.5 cm)	PMCH-2-3
9 Position PatchMate chassis	3.5" x 19" x 12.03" (8.89 x 48.26 x 30.5 cm)	PMCH-2-9
Modules RS-232 Patch Module EIA-530 Patch Module V.35 Patch Module RS-422 Patch Module		PMM-1 PMM-616004 PMM-V.35 PMM-B-2

*For additional modules and accessories such as patch cords, please see Network Control Catalog #517.



ADC Telecommunications, Inc.
4900 West 78th Street
Minneapolis, Minnesota 55435

FAX: (612) 946-3292

From North America, Call Toll Free: 1-800-366-3891

Outside of North America: 612-938-8080

Home Page Address: <http://www.adc.com>

International Sales Offices: Belgium 32-2-721-5282 • United Kingdom 44-734-441955
• Montreal, Quebec (514) 677-9166 • Vancouver, BC (604) 270-1675 • Toronto, Ont.
(905) 629-3104 • Ottawa, Ont. (613) 723-2171 • Singapore 65-225-8228 • Venezuela 58-
2-286-1444 • Mexico City, Mexico 525-658-4519 • Buenos Aires, Argentina (541) 449-
2669 • Sao Paulo, Brasil 55-11-3040-0666 • Sydney, Australia 61-2-9975-1499 •
Melbourne, Australia 61-3-9585-3931 • Beijing, China 86-10-6500-7001 • Dusseldorf,
Germany 49-211-370-350



Specifications published here are current as of the date of publication of this document. Because we are continuously improving our products, ADC reserves the right to change specifications without prior notice. At any time, you may verify product specifications by contacting our headquarters office in Minneapolis. ADC Telecommunications, Inc. views its patent portfolio as an important corporate asset and vigorously enforces its patents. Products or features contained herein may be covered by one or more U.S. or foreign patents.